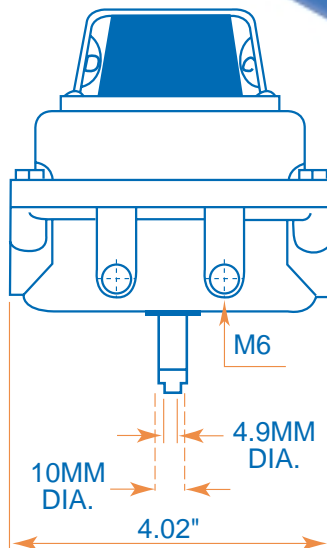


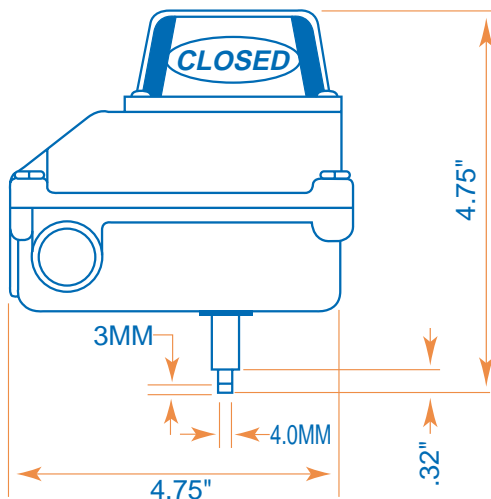
## FEATURES

- NEMA 4, 4X, 6 and 6P Compliant
- IEC Type IP-67 Enclosure
- VDI/VDE Type A Mounting Pattern
- NAMUR Compliant
- 0.6 AMP Rated SPDT Switches
- "Quick-Set" Cams
- Impact Resistant Polycarbonate Beacon
- Die-Cast Aluminum Housing
- Standard Terminal Strip
- 304SS Input Shaft and Cover Screws
- Dual 1/2" Conduit Entry Ports
- Baked-On Epoxy Coating
- Supplied with (2) Mounting Brackets



## RATINGS

**VOLTAGE:** 250V AC or DC  
**AMPERAGE:** 0.6 AMPS 125V  
**HORSEPOWER:** 1/2 HP 125VAC



## MATERIALS OF CONSTRUCTION

PART NAME	QUANTITY	MATERIAL
BEACON COVER	1	POLYCARBONATE
INNER BEACON	1	POLYCARBONATE
BEACON SCREWS	4	304 STAINLESS STEEL
LOWER HOUSING	1	DIE CAST ALUMINUM
UPPER HOUSING	1	DIE CAST ALUMINUM
INPUT SHAFT	1	304 STAINLESS STEEL
MICROSWITCHES	2	UL & CSA COMPLIANT
HOUSING SEAL	1	BUNA-N
O-RINGS	3	BUNA-N
CAMS	2	POLYCARBONATE
CAM SPRING	1	304 STAINLESS STEEL
HOUSING BOLTS	4	304 STAINLESS STEEL
TERMINAL STRIP	1	POLYETHYLENE

# Quadrant

VALVE & ACTUATOR, LLC

## SERIES LS-1

NUMBERING SYSTEM ... HOW TO ORDER:

### ORDER: LS-1 SWITCH

