

Our '200' series gauge line is a high quality line of liquid filled gauges. The glycerine filling helps dampen the effects of pulsation and vibration, while also perpetually lubricating the movement (and keeping contaminants such as dirt away from all moving parts) which will extend the life of the gauge.

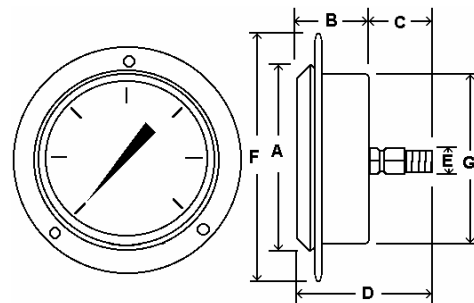
This gauge has been specifically designed with the original equipment manufacturers in mind and is typically used on hydraulic & pneumatic systems as well as any commercial or industrial application not corrosive to brass and bronze wetted parts where glycerine filling is suitable for use.

SPECIFICATIONS:

- **Front Flanged Panel Mount Design**
- **Available Dial Sizes:** 1 ½", 2", 2 ½", 3 ½", 4"
- **Available Connection Sizes:**
 1/8"MNPT on 1 ½" and 2"
 1/4"MNPT on 2", 2 ½", 3 ½" and 4"
- **Stainless Steel Case And Bezel**
- **Brass Internals & Connection**
- **Phosphour Bronze Bourdon Tube**
- **Liquid Filled (Dry Available)**
- **Accuracy :** 1 ½" or 2"Dial Size = 3-2-3 %
 2 ½"Dial Size = 1.5 %
 3 ½" or 4"Dial Size = 1 %
- **Dual Scale: PSI & Bar (x100=kPa)**
 Single Scale available from stock
- **Ambient temperature: FILLED:** 30°F to 160°F
DRY: -30°F to 180°F



RANGE	CODE	Major In	Minor In
30/0"VAC	A	5	0.5
30/0/15	CB	5	0.5
30/0/30	CC	10	1
30/0/60	CD	10	1
30/0/100	CE	20	2
30/0/150	CF	20	2
30/0/300	CH	50	10
0/15	B	2	0.2
0/30	C	5	0.5
0/60	D	10	1
0/100	E	20	2
0/160	F	20	2
0/200	G	40	5
0/300	H	50	5
0/400	I	50	5
0/600	K	100	10
0/1000	M	200	20
0/1500	N	200	20
0/2000	O	400	50
0/3000	P	500	50
0/5000	R	1000	100
0/10,000	U	1000	100
0/15,000	V	2000	200



		A	B	C	D	E	F	G
1 ½" Dial	In	1.88	1.06	.89	1.95	1/8"	2.46	1.63
	MM	48	27	23	50	Npt	63	42
2" Dial	In	2.23	1.09	.71	1.99	1/8" or	2.81	2.00
	MM	57	28	23	51	1/4"npt	72	51
2 ½" Dial	In	2.80	1.28	1.19	2.46	1/4"	3.48	2.50
	MM	71	33	30	63	Npt	88	64
3 ½" Dial	In	3.83	1.14	1.08	2.20	1/4"	5.19	3.5
	MM	97	29	27	56	Npt	132	89
4" Dial	In	4.32	1.63	1.14	2.77	1/8" or	5.20	3.87
	MM	110	42	29	71	1/4"Npt	132	98

Note: All Dial Size Gauges are Center Back Connection Except 3 ½" Dial Size which are Lower Back Connection