

SIZES :	1/2" & 3/4" x 1/2"
BODY:	Forged, CS-ASTM-A 105 Plated, ASTM A 182 F 316 SS Straight Pattern
END CONNECTIONS:	Screwed
STEM :	Close tolerance surface finish, cold rolled threads ASME-SA-479 Type 316 SS
NEEDLE TIP :	Hardened & Ground, Self Centering, non –rotating
GLAND PACKING :	Adjustable below stem thread design (PBT), prevents process fluid contact with stem threads, PTFE for temp, below 400° F/ Graphite for temp. above 400° F.
HANDLE :	'T' bar handle CS, ASTM A 108 Plated or ASME-SA-479 Type 316 SS
WASHER :	ASME-SA-479 Type 316 SS
PRESSURE / TEMPERATURE :	<u>TEMPERATURE</u> <u>PRESSURE</u> -65 to 100 10,000 psi
PRESSURE RATING :	Hydrostatic at 10,000 psi Seat & Gland –1,000 psi with Nitrogen
MINIMUM TEMPERATURE:	ASTM-A-105: - 20° F / 316SS-ASTM-A-479: - 65° F
OPTIONS :	Material of construction conforming to NACE MR-01-75 Other materials available on request Screwed ends with BSP/BSPT/ISO/ Special Threads
DESIGN STANDARD :	A)Pressure Piping/Vessel codes ANSI B31.1 – Power Piping ANSI B31.2 – Fuel Gas Piping ANSI B31.3 – Chemical Plant petroleum refinery piping Section VIII-DIV1-Boiler & Pressure vessel code B) Threads & Dimensional Codes ANSI B2.1 – Pipe Threads ANSI B1.1 – Straight Threads ASME – B16.10 F To F Dimension of Valve. C)Temperature-Pressure Standard ASME B 31.
REFERENCE DRAWING :	JVF-BBTV-001, JVf-BBTV-002, JVf-BBTV-003



Alberta Boilers Safety
Association Canada

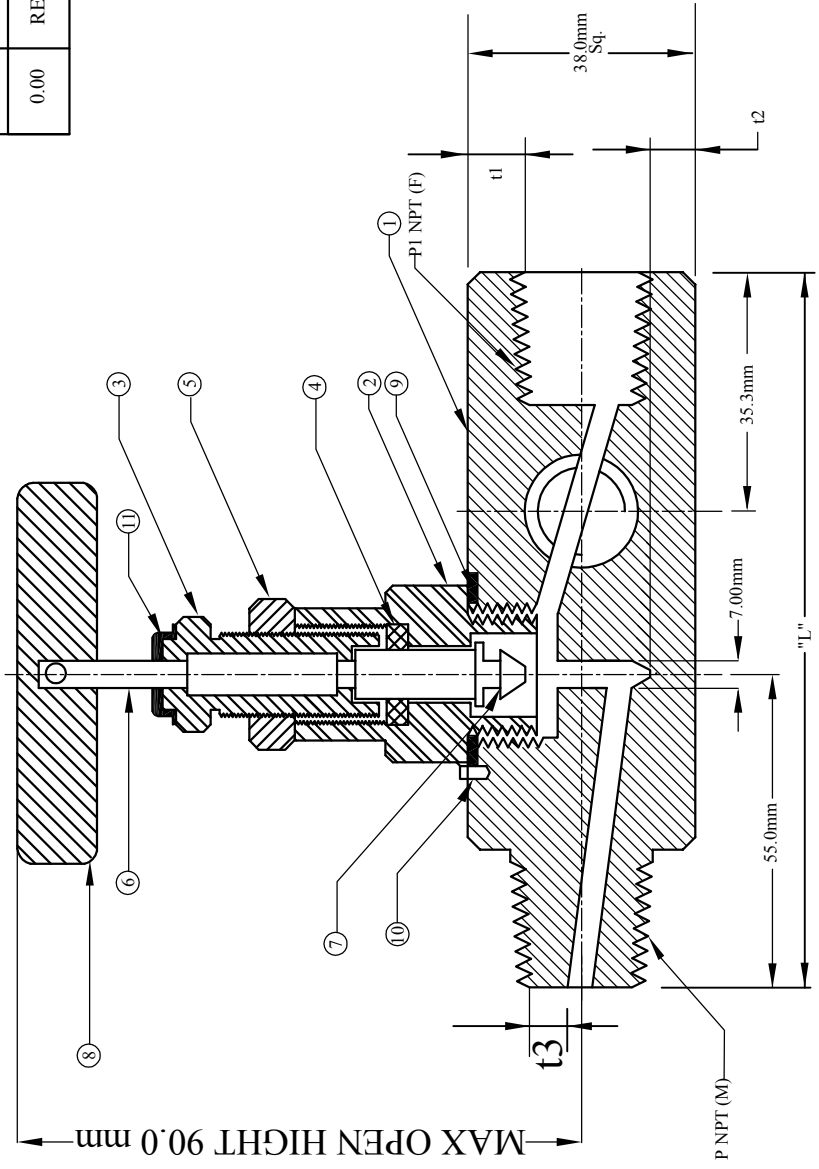
CRN: 0C13720.2



Registered with
Dun & Bradstreet

Since 1998

REV.	REASON FOR ISSUE	DATE	DRN.	CHKD.	APT.
0.00	REL. FOR MANU.	28.01.10	A.K.S.	D.K.D.	G.G.A.



ITEM NO.	DESCRIPTION	QTY.	MATERIAL
1	BODY	1	C.S.-ASTM A105 SS316-ASTM A475
2	GLAND BODY	1	C.S.-ASTM A105 SS316-ASTM A475
3	GLAND RETAINER	1	C.S.-ASTM A105 SS316-ASTM A475
4	GLAND SEAL	1	PTFE/ GRAFOIL
5	LOCK NUT	1	C.S.-ASTM A105 SS316-ASTM A475
6	SPINDLE	1	SS316-ASTM A475
7	TIP	1	SS316-ASTM A475
8	HANDLE	1	C.S.-ASTM A105 SS316-ASTM A475
9	WASHER	1	C.S.-ASTM A105 SS316-ASTM A475
10	LOCK PIN	1	STAINLESS STEE
11	DUST CAP	1	AL./PLASTIC

*Note:- Material Grade
 C.S :- ASTM A105
 FINISH ZN PLATED
 SS316 :- ASTM A479
 NOTE:- BREAK ALL SHARP EDGES & REMOVE BURR

PRESSURE RATING	10000 PS
TEMPERATURE RATING	200°F

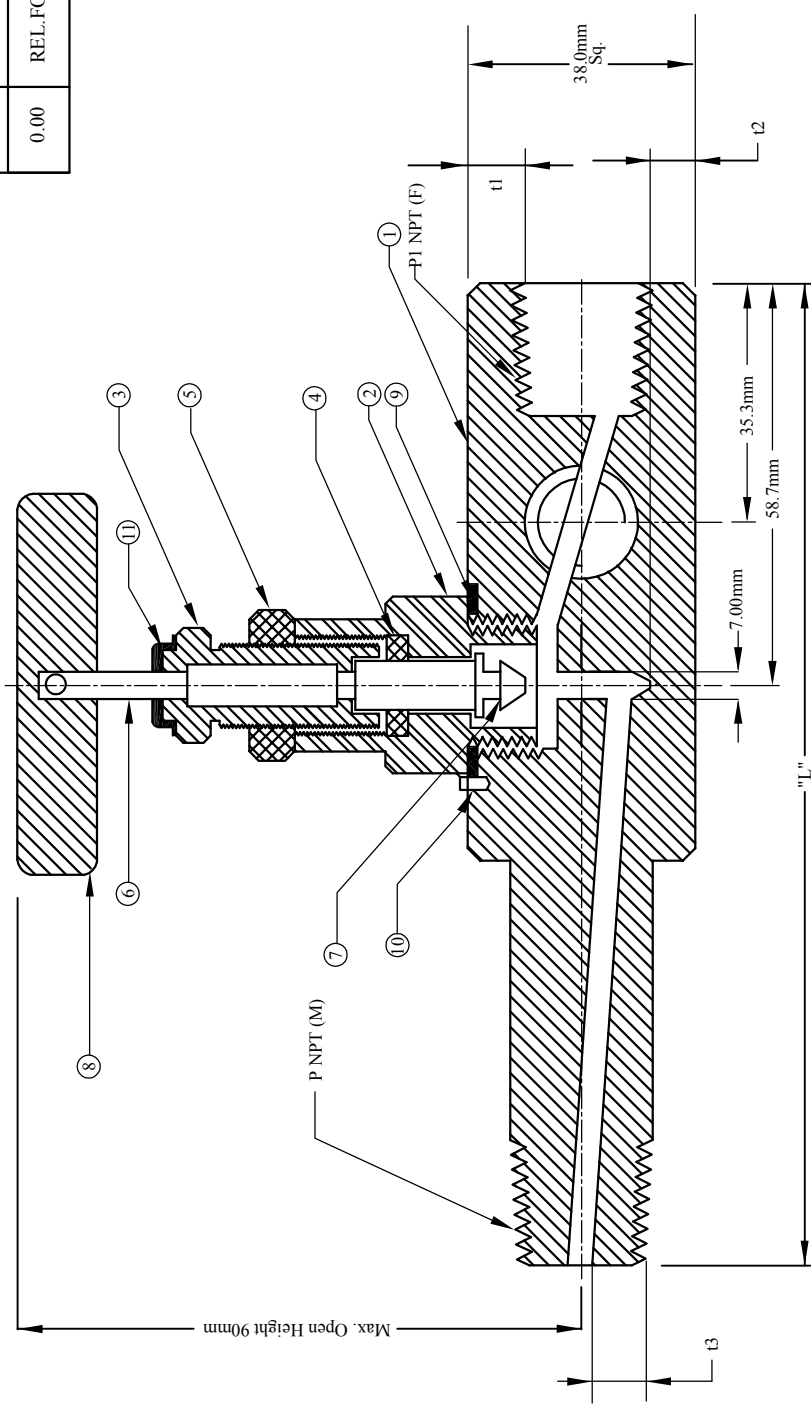
PROJECT/CLIENT	JVF
	TITLE
	BLOCK&BLEED TERMINAL NEEDLE VALVE
JVF 15060 West Drive Houston, TX77053 USA	
This drawing is the property of JVf. Unauthorised reproduction is prohibited.	
DRG NO : JVf-BBTV-001	

P/N.	Material.	Connection P (M) X P1 (F)	Length "L"	t1	t2	t3
JVF 8534	SS316-ASTM A479	1/2" X 1/2" NPT	114.1mm	8.33mm	5.7mm	6.86mm
JVF 8536	SS316-ASTM A479	3/4" X 1/2" NPT	114.1mm	8.33mm	5.7mm	9.52mm
JVF 7534	C.S.-ASTM A105	1/2" X 1/2" NPT	114.1mm	8.33mm	5.7mm	6.86mm
JVF 7536	C.S.-ASTM A105	3/4" X 1/2" NPT	114.1mm	8.33mm	5.7mm	9.52mm

REV.	DATE OF DRAWING	DRAWN BY	CHECKED	APPROVED
0.00	28/1/2010	P.S	D.K.D	G.G.A

ALL DIMENSIONS ARE SUBJECT TO CHANGE WITHOUT PRIOR NOTICE, TO BE USED FOR REFERENCE ONLY.

REV.	REASON FOR ISSUE	DATE	DRN.	CHKD.	APP.
0.00	REL.FOR MANU.	20.12.16	A.K.S	D.K.D.	G.G.A.



ITEM NO.	DESCRIPTION	QTY.	MATERIAL
1	BODY	1	C.S-ASTM A105 SS316-ASTM A479
2	GLAND BODY	1	C.S-ASTM A105 SS316-ASTM A479
3	GLAND RETAINER	1	C.S-ASTM A105 SS316-ASTM A479
4	GLAND SEAL	1	PTEE/ GRAFOIL
5	LOCK NUT	1	C.S-ASTM A105 SS316-ASTM A479
6	SPINDLE	1	SS316-ASTM A479
7	TIP	1	SS316-ASTM A479
8	HANDLE	1	C.S-ASTM A105 SS316-ASTM A479
9	WASHER	1	STAINLESS STEEL
10	LOCK PIN	1	STAINLESS STEEL
11	DUST CAP	1	AL./PLASTIC

*Note:- Material Grade
 C.S :- ASTM A105
 FINISH ZN PLATED
 SS316 :- ASTM A479

NOTE:- BREAK ALL SHARP EDGES & REMOVE BURR

PRESSURE RATING	10000 PSI
TEMPERATURE RATING	200°F

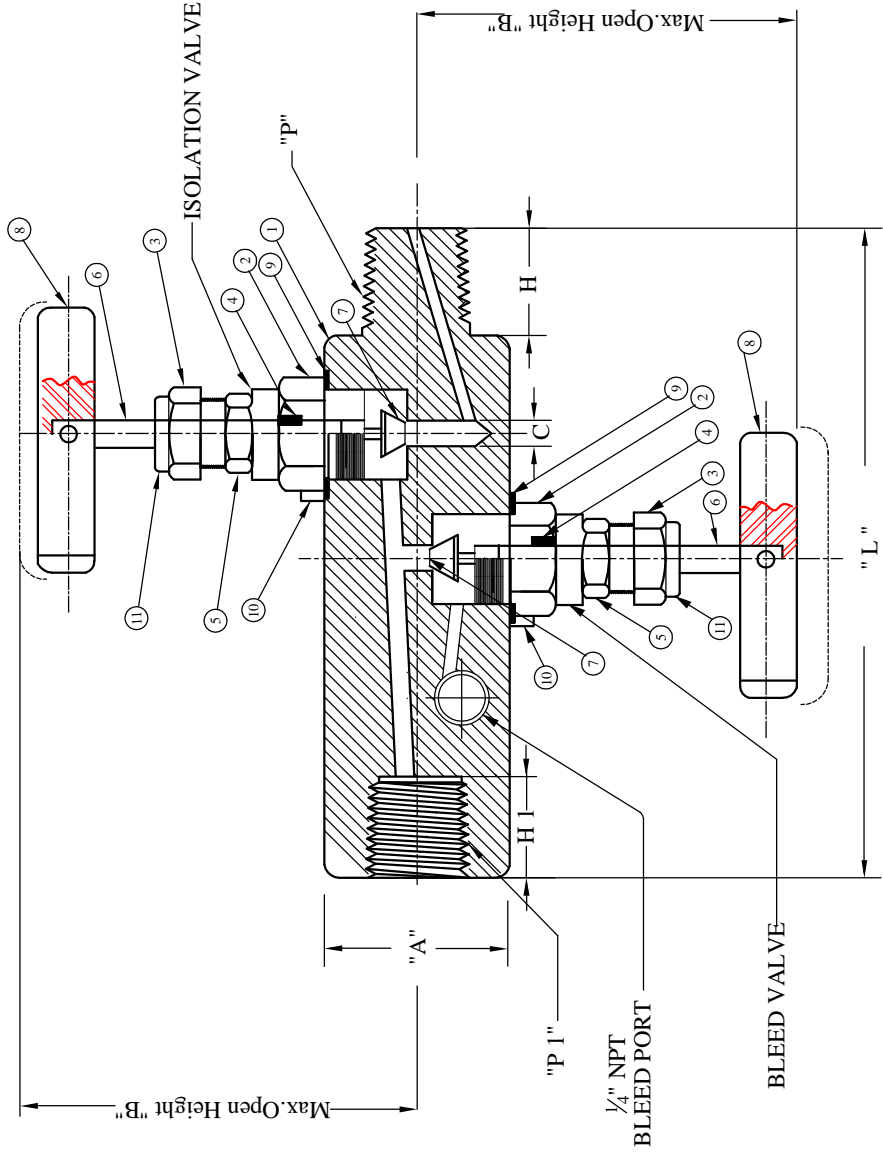
PROJECT/CLIENT	JVF	JVF	15060 West Drive Houston, TX 77053 USA
BLOCK&BLED LAGGING TYPE NEEDLE VALVE M X F			DRG NO : JVFB-BTV-002
This drawing is the property of JVf Unauthorised reproduction is prohibited.			REV. 0.00

P/N.	Material.	Connection P (M) X P1 (F)	Length "L" ±0.50mm	t1	t2	t3
JVF7534-1L	C.S-ASTM A105	1/2"(M) X 1/2"(F) NPT	129.54mm	8.33mm	5.7mm	6.86mm
JVF7536-1L	C.S-ASTM A105	3/4"(M) X 1/2"(F) NPT	129.54mm	8.33mm	5.7mm	9.52mm
JVF8534-1L	SS316-ASTM A479	1/2"(M) X 1/2"(F) NPT	129.54mm	8.33mm	5.7mm	6.86mm
JVF8534-2L	SS316-ASTM A479	1/2"(M) X 1/2"(F) NPT	154.94mm	8.33mm	5.7mm	6.86mm
JVF8534-3L	SS316-ASTM A479	1/2"(M) X 1/2"(F) NPT	180.34mm	8.33mm	5.7mm	6.86mm
JVF8536-1L	SS316-ASTM A479	3/4"(M) X 1/2"(F) NPT	129.54mm	8.33mm	5.7mm	9.52mm
JVF8536-2L	SS316-ASTM A479	3/4"(M) X 1/2"(F) NPT	154.94mm	8.33mm	5.7mm	9.52mm
JVF8536-3L	SS316-ASTM A479	3/4"(M) X 1/2"(F) NPT	180.34mm	8.33mm	5.7mm	9.52mm
JVF8538-1L	SS316-ASTM A479	1"(M) X 1/2"(F) NPT	129.54mm	8.33mm	5.7mm	12.8mm
JVF8538-3L	SS316-ASTM A479	1"(M) X 1/2"(F) NPT	180.34mm	8.33mm	5.7mm	12.8mm

REV.	DATE OF DRAWING	DRAWN BY	CHECKED	APPROVED
0.00	20/12/2016	P.S	D.K.D	G.G.A

ALL DIMENSIONS ARE SUBJECT TO CHANGE WITHOUT PRIOR NOTICE, TO BE USED FOR REFERENCE ONLY.

REV.	REASON FOR ISSUE	DATE	DRN.	CHKD.	APT.
0.00	REL FOR MANU.	15.11.15	P.S	D.K.D.	G.G.A



ITEM NO.	DESCRIPTION	QTY.	MATERIAL
1	BODY	1	C.S.-ASTMA105/ SS316-ASTM A 479
2	GLAND BODY	1	C.S.-ASTMA105/ SS316-ASTM A 479
3	GLAND RETAINER	1	C.S.-ASTMA105/ SS316-ASTM A 479
4	GLAND SEAL	1	PTFE / GRAPHOIL
5	LOCK NUT	1	C.S.-ASTMA105/ SS316-ASTM A 479
6	SPINDLE	1	SS316-ASTM A 479
7	TIP	1	SS316-ASTM A 479
8	HANDLE	1	C.S.-ASTMA105/ SS316-ASTM A 479
9	WASHER	1	STAINLESS STEEL
10	LOCK PIN	1	STAINLESS STEEL
11	DUST CAP	1	ALUMINUM

*Note:- Material Grade
 C.S :- ASTM A105
 FINISH ZN PLATED
 SS316 :- ASTM A479

NOTE:- BREAK ALL SHARP EDGES & REMOVE BURR

ALL DIMENSIONS ARE IN mm

PRESSURE RATING	10000 PSI
TEMPERATURE RATING	200° F

PROJECT/CLIENT	J V F
	15060 West Drive Houston, TX77053 USA
TITLE	BLOCK & BLEED VALVE

PART NO.	SIZE NPT.	ENDS. P & PI	MATERIAL.	A	B	C	L	H	H1	CV
JVF9732	1/4" X 1/4"	MXF	SS316-ASTM A 479	38.0 Square	95.0	4.20	114.5	14.3	15.0	0.4
JVF9734	1/2" X 1/2"	MXF	SS316-ASTM A 479	38.0 Square	95.0	4.20	114.5	19.1	19.8	0.4
JVF9736	3/4" X 1/2"	MXF	SS316-ASTM A 479	38.0 Square	95.0	4.20	114.5	19.1	19.8	0.4
JVF9532	1/4" X 1/4"	MXF	C.S.-ASTMA105	38.0 Square	95.0	4.20	114.5	14.3	15.0	0.4
JVF9534	1/2" X 1/2"	MXF	C.S.-ASTMA105	38.0 Square	95.0	4.20	114.5	19.1	19.8	0.4
JVF9536	3/4" X 1/2"	MXF	C.S.-ASTMA105	38.0 Square	95.0	4.20	114.5	19.1	19.8	0.4

DATE OF DRAWING	DRAWN BY	CHECKED	APPROVED
15/11/2015	P.S	D.K.D	G.G.A

ALL DIMENSIONS ARE SUBJECT TO CHANGE WITHOUT PRIOR NOTICE, TO BE USED FOR REFERENCE ONLY.

This drawing is the property of JVF. Unauthorised reproduction is prohibited.

DRGNO :- JVF-BBTV-003	REV
	0.00