

(These 4 1/2" gauges have been designed and built primarily for the Dry Bulk Tanker Market.)

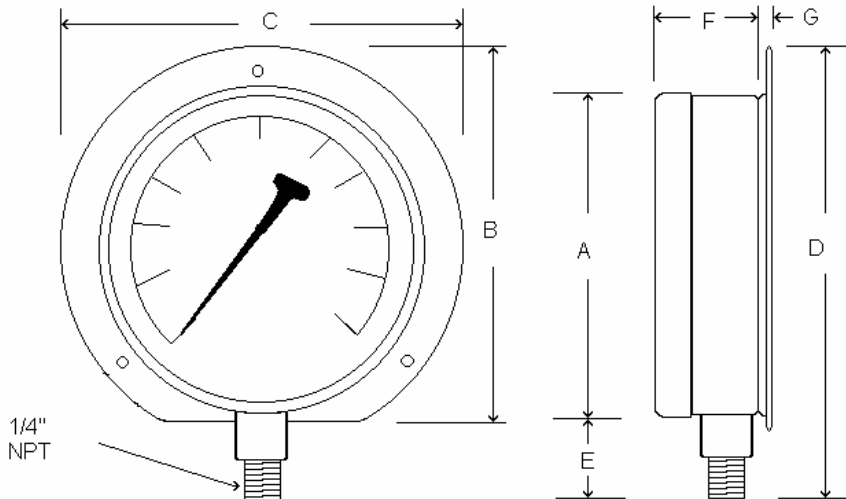
## STANDARD FEATURES

- **Case:** Epoxy Coated Black Steel Case w/Removable Back Flange  
Epoxy Coated For Rust And Corrosion Resistance  
Removable Back Flange for more diversity from stock
- **Movement:** Heavy-duty stainless steel movement for better accuracy and durability.
- **Anti-vibration:** We added a silicone dampened counter weight attached to the movement, allowing the gauge to function as a liquid-filled gauge, but eliminating the problems associated with liquid filling (i.e. browning and leakage).
- **Bourdon Tube:** Large Heavy-duty type bourdon tube adds to the accuracy and durability
- **Adjustable Pointer:** High Quality industrial grade micrometer pointer making recalibration easier and more accurate.
- **Wetted Parts:** Brass Socket / Bronze Internals
- **Lens:** Plastic Lens Resists Breakage
- **Accuracy:** 1 % of Full Scale
- **Dial Single:** Scale PSI Only With Large **Easy To Read** Numbers



Part Number 4 1/2"	Range	Major inc	Minor inc
BULK-HD-454L-CC	30/0/30	5 psi	1 psi
BULK-HD-454L-C	0/30	5 psi	1 psi

**Note:** All typical accessory type items such as gauge cock's, pigtail/siphons, snubbers, needle valves or diaphragm seals can be provided with gauges upon request.



	4 1/2" Dial Size	
	In.	MM
<b>A</b>	4.95"	126
<b>B</b>	5.43"	138
<b>C</b>	5.90"	150
<b>D</b>	6.34"	161
<b>E</b>	.98"	25
<b>F</b>	1.34"	34
<b>G</b>	.20"	5