

SIZES:	1/8" to 1"
BODY :	Forged, CS-ASTM-A 105 Plated, ASTM A182 F 316SS Angled / Straight pattern
END CONNECTIONS:	Screwed NPT
STEM:	Close tolerance surface finish, cold rolled threads, ASME SA-479 Type 316 SS
NEEDLE TIP:	Hardened & Ground. Self Centering , non rotating
GLAND BODY:	SSL provided, CS, ASTM A 108 Plated or ASME SA-479 Type 316 SS
GLAND PACKING:	Adjustable, below stem thread design (PBT), prevent process fluid contact with stem threads. PTFE for Temp. below 400° F/Graphite for Temp above 400° F.
SEAT:	Integral Metal To Metal
HANDLE:	'T' bar handle. CS, ASTM A108 plated or ASME-SA-479 Type 316SS
WASHER:	ASME-SA-479 Type 316 SS



Alberta Boilers Safety
Association Canada

CRN: OC13720.2

PRESSURE/ :	<u>TEMPERATURE</u>	<u>PRESSURE</u>
TEMPERATURE	-65 to 200° F	10,000 psi

PRESSURE RATING: Body : Hydrostatic at 10,000
Seat & Gland : 1,000 psi with Nitrogen

MINIMUM TEMP.: CS-ASTM-A-105: - 20° F / 316SS-ASTM-A-479: - 65° F

- OPTIONS:**
- Material of construction confirming to NACE MR-01-75
 - Other Materials available on request
 - Socket weld Ends
 - Compression Ends
 - Screwed Ends with BSP/ BSPT/ ISO/ Special Threads

DESIGN STANDARD: **Pressure Piping/Vessel codes**
ANSI B31.1 – Power Piping
ANSI B31.2 – Fuel Gas Piping
ANSI B31.3 – Chemical Plant petroleum refinery piping
Section VIII-DIV1-Boiler & Pressure vessel code
Threads & Dimensional Codes
ANSI B2.1 – Pipe Threads
ANSI B1.1 – Straight Threads
ASME – B16.10 F To F Dimension of Valve.
Temperature-Pressure Standard
ASME B 31.3

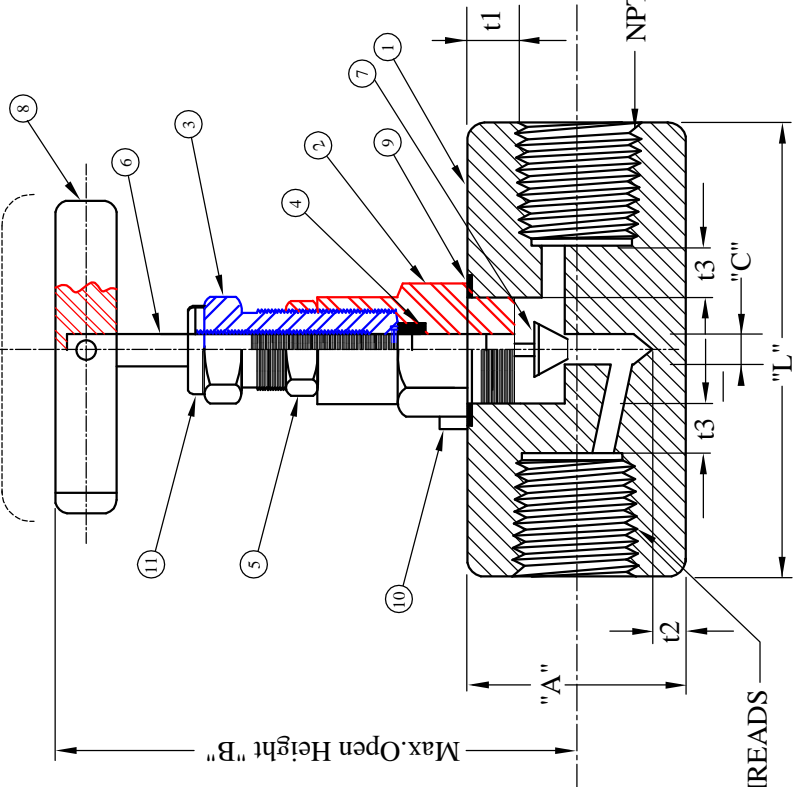
REF. DRAWING: AI-SNV-HS-001, AI-SNV-HS-002, AI-SNV-HS-003 & AI-SNV-HS-004



Registered with
Dun & Bradstreet

Since 1998

REV.	REASON FOR ISSUE	DATE	DKN.	CHKD.	APP.
0.00	REL.FOR MANU.	14.9.2016	P.S	D.K.D.	G.G.A.



ITEM NO.	DESCRIPTION	QTY.	MATERIAL
1	BODY	1	C.S-ASTM A105/SS316-ASTM A479
2	GLAND BODY	1	C.S-ASTM A105/SS316-ASTM A479
3	GLAND RETAINER	1	C.S-ASTM A105/SS316-ASTM A479
4	GLAND SEAL	1	PTFE/GRAFOIL
5	LOCK NUT	1	C.S-ASTM A105/SS316-ASTM A479
6	SPINDLE	1	SS316-ASTM A479
7	TIP	1	SS316-ASTM A479
8	HANDLE	1	C.S-ASTM A105/SS316-ASTM A479
9	WASHER	1	STAINLESS STEEL
10	LOCK PIN	1	STAINLESS STEEL
11	DUST CAP	1	AL./PLASTIC

*Note:- Material Grade

C.S :- ASTM A105
FINISH ZN PLATED
SS316 :- ASTM A479

PRESSURE RATING	10000 PSI
TEMPERATURE RATING	200°F

PROJECT/CLIENT	J V F
TITLE	STD. NEEDLE VALVE 10000 PSI F X F NPT
15060 West Drive Houston, TX77053 USA	

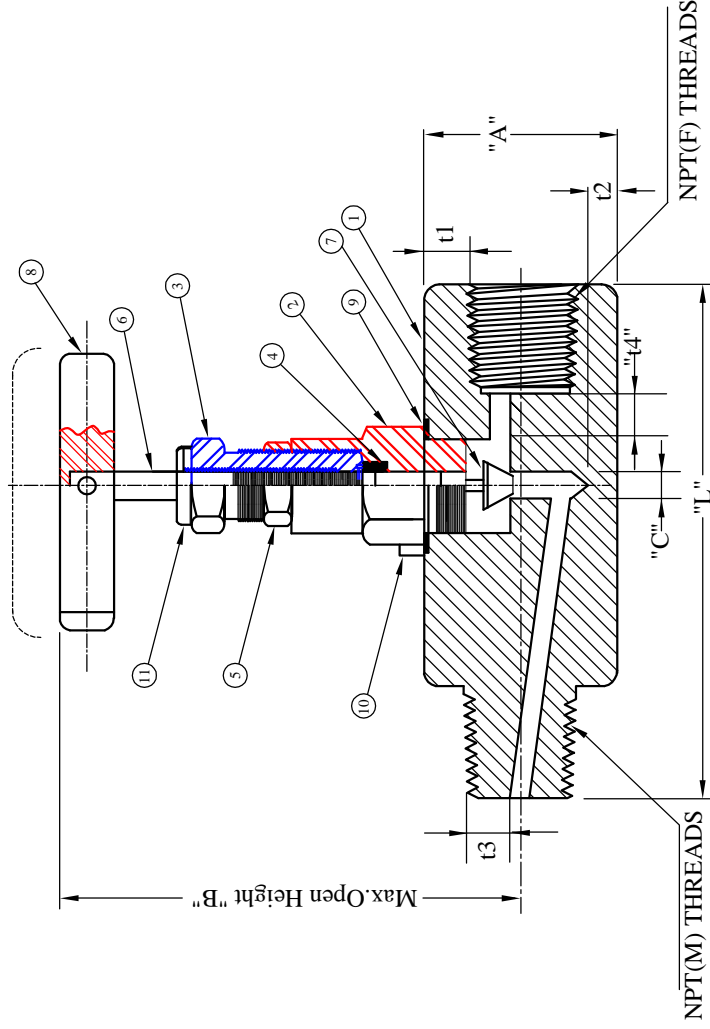
PART NO.	SIZE NPT.	ENDS.	MATERIAL.	A	B	C	L	t1	t2	t3
ANV1511	1/8"X 1/8"	F X F	C.S-ASTM A105	28.5mm	86.0mm	4.20mm	60.0mm	9.11mm	4.50mm	9.98mm
ANV1512	1/4"X 1/4"	F X F	C.S-ASTM A105	28.5mm	86.0mm	4.20mm	60.0mm	7.40mm	4.50mm	5.48mm
ANV1513	3/8"X 3/8"	F X F	C.S-ASTM A105	32.0mm	88.0mm	6.40mm	68.0mm	7.43mm	5.50mm	9.48mm
ANV1514	1/2"X 1/2"	F X F	C.S-ASTM A105	38.0mm	92.0mm	7.00mm	68.0mm	8.33mm	6.00mm	4.68mm
ANV1516	3/4"X 3/4"	F X F	C.S-ASTM A105	42.0mm	92.0mm	9.00mm	68.0mm	7.70mm	7.00mm	3.88mm
ANV1518	1"X 1"	F X F	C.S-ASTM A105	51.0mm	112.0mm	12.00mm	80.0mm	8.80mm	9.00mm	2.6mm
ANV1311	1/8"X 1/8"	F X F	SS316-ASTM A479	28.5mm	86.0mm	4.20mm	60.0mm	9.11mm	4.50mm	9.98mm
ANV1312	1/4"X 1/4"	F X F	SS316-ASTM A479	28.5mm	86.0mm	4.20mm	60.0mm	7.40mm	4.50mm	5.48mm
ANV1313	3/8"X 3/8"	F X F	SS316-ASTM A479	32.0mm	88.0mm	6.40mm	68.0mm	7.43mm	5.50mm	9.48mm
ANV1314	1/2"X 1/2"	F X F	SS316-ASTM A479	38.0mm	92.0mm	7.00mm	68.0mm	8.33mm	6.00mm	4.68mm
ANV1316	3/4"X 3/4"	F X F	SS316-ASTM A479	42.0mm	92.0mm	9.00mm	68.0mm	7.70mm	7.00mm	3.88mm
ANV1318	1"X 1"	F X F	SS316-ASTM A479	51.0mm	112.0mm	12.00mm	80.0mm	8.80mm	9.00mm	2.60mm

REV	DATE OF DRAWING	DRAWN BY	CHECKED	APPROVED
0.0	14/9/2016	P.S	D.K.D	G.G.A

This drawing is the property of JVF.
Unauthorised reproduction is prohibited.

DRG NO :- JVF-SNV-HS-001

REV.	REASON FOR ISSUE	DATE	DRN.	CHKD.	APP.
0.00	REL.FOR MANU.	14.9.2016	P.S	D.K.D.	G.G.A



ITEM NO.	DESCRIPTION	QTY.	MATERIAL
1	BODY	1	C.S-ASTM A105/ SS316-ASTM A479
2	GLAND BODY	1	C.S-ASTM A105/ SS316-ASTM A479
3	GLAND RETAINER	1	C.S-ASTM A105/ SS316-ASTM A479
4	GLAND SEAL	1	PTEE/ GRAFOIL
5	LOCK NUT	1	C.S-ASTM A105/ SS316-ASTM A479
6	SPINDLE	1	SS316-ASTM A479
7	TIP	1	SS316-ASTM A479
8	HANDLE	1	C.S-ASTM A105/ SS316-ASTM A479
9	WASHER	1	STAINLESS STEEL
10	LOCK PIN	1	STAINLESS STEEL
11	DUST CAP	1	AL./PLASTIC

*Note:- Material Grade

C.S:- ASTM A105
FINISH ZN PLATEI

SS316 :- ASTM A479

NOTE:- BREAK ALL SHARP EDGES & REMOVE BUR

PRESSURE RATING	10000 PSI
TEMPERATURE RATING	200°F

PROJECT/CLIENT	J V F
TITLE	STD. NEEDLE VALVE 10000 PSI M X F NPT
	15060 West Drive Houston, TX77053 USA
	DRG NO :-JVF-SNV-HS-002

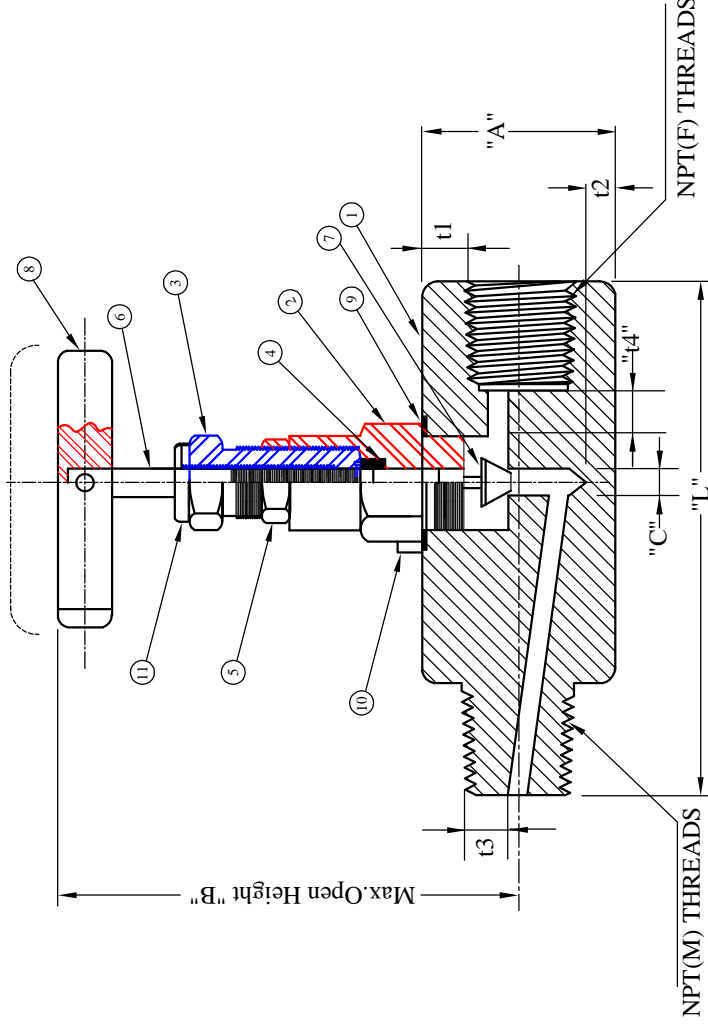
PART NO.	SIZE NPT.	ENDS.	MATL.	A	B	C	L	t1	t2	t3	t4
ANV1531	1/8"X 1/8"	M X F	C.S-ASTM A105	28.5mm	86.0mm	4.20mm	76.0mm	9.11mm	4.50mm	2.90mm	9.98mm
ANV1532	1/4"X 1/4"	M X F	C.S-ASTM A105	28.5mm	86.0mm	4.20mm	76.0mm	7.40mm	4.50mm	3.40mm	5.48mm
ANV1534	1/2"X 1/2"	M X F	C.S-ASTM A105	38.0mm	92.0mm	7.00mm	89.0mm	8.33mm	6.00mm	6.86mm	2.68mm
ANV1536	3/4"X 3/4"	M X F	C.S-ASTM A105	42.0mm	92.0mm	9.00mm	89.0mm	7.70mm	7.00mm	8.52mm	1.88mm
ANV1537	3/4"X 1/2"	M X F	C.S-ASTM A105	38.0mm	92.0mm	7.00mm	89.0mm	8.33mm	7.00mm	8.00mm	2.68mm
ANV1538	1"X 1"	M X F	C.S-ASTM A105	51.0mm	112.0mm	12.0mm	105.0mm	8.80mm	9.00mm	8.53mm	5.6mm
ANV1332	1/4"X 1/4"	M X F	SS316-ASTM A479	28.5mm	86.0mm	4.20mm	76.0mm	7.40mm	4.50mm	3.40mm	5.48mm
ANV1334	1/2"X 1/2"	M X F	SS316-ASTM A479	38.0mm	92.0mm	7.00mm	89.0mm	8.33mm	6.00mm	6.86mm	2.68mm
ANV1336	3/4"X 3/4"	M X F	SS316-ASTM A479	42.0mm	92.0mm	9.00mm	89.0mm	7.70mm	7.00mm	8.52mm	1.88mm
ANV1337	3/4"X 1/2"	M X F	SS316-ASTM A479	38.0mm	92.0mm	7.00mm	89.0mm	8.33mm	7.00mm	8.00mm	2.68mm
ANV1338	1"X 1"	M X F	SS316-ASTM A479	51.0mm	112.0mm	12.0mm	105.0mm	8.80mm	9.00mm	8.53mm	5.6mm

REV.	DATE OF DRAWING	DRAWN BY	CHECKED	APPROVED
0.00	14/9/2016	P.S	D.K.D	G.G.A

ALL DIMENSIONS ARE SUBJECT TO CHANGE WITHOUT ANY PRIOR NOTICE. TO BE USED FOR REFERENCE ONLY.

This drawing is the property of JVF. Unauthorised reproduction is prohibited.

REV.	REASON FOR ISSUE	DATE	DRN.	CHKD.	APP.
0.00	REL.FOR MANU.	14/9/2016	P.S	D.K.D.	G.G.A.



ITEM NO.	DESCRIPTION	QTY.	MATERIAL
1	BODY	1	C.S-ASTM A105/ SS316-ASTM A479
2	GLAND BODY	1	C.S-ASTM A105/ SS316-ASTM A479
3	GLAND RETAINER	1	C.S-ASTM A105/ SS316-ASTM A479
4	GLAND SEAL	1	PTFE/ GRAFOIL
5	LOCK NUT	1	C.S-ASTM A105/ SS316-ASTM A479
6	SPINDLE	1	SS316-ASTM A479
7	TIP	1	SS316-ASTM A479
8	HANDLE	1	C.S-ASTM A105/ SS316-ASTM A479
9	WASHER	1	STAINLESS STEE
10	LOCK PIN	1	STAINLESS STEE
11	DUST CAP	1	AL./PLASTIC

*Note:- Material Grade

C.S:- ASTM A105
FINISH ZN PLATEI

SS316 :- ASTM A479

NOTE:- BREAK ALL SHARP EDGES & REMOVE BUR

PRESSURE RATING	15000 PSI
TEMPERATURE RATING	200°F

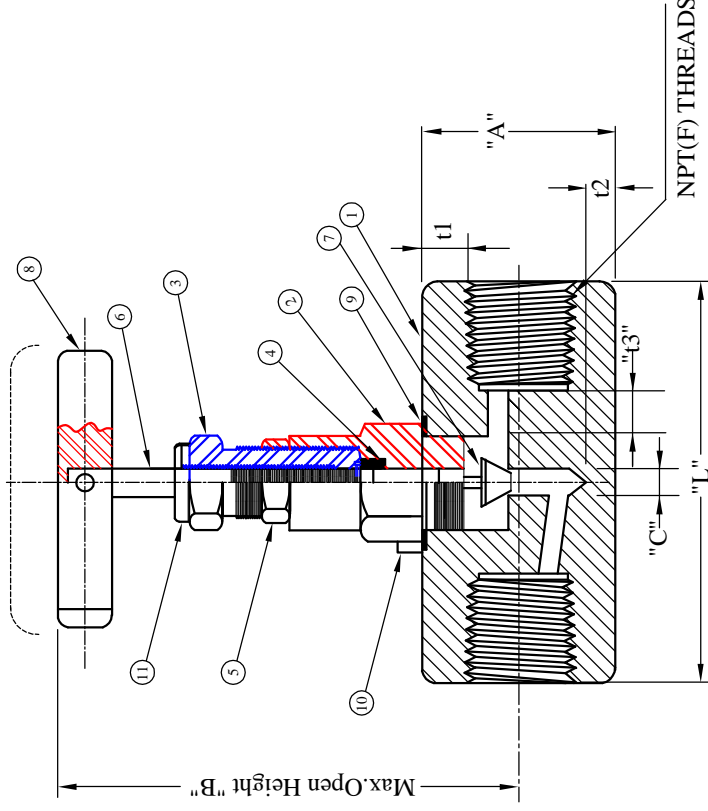
PROJECT/CLIENT	J V F
TITLE	15060 West Drive Houston, TX 77053 USA
STD. NEEDLE VALVE 15000 PSI M X F NPT	
This drawing is the property of JVF. Unauthorised reproduction is prohibited.	DRG NO :-JVF-SNV-HS-003
	RE 0.C

PART NO.	SIZE NPT.	ENDS.	MATL.	A	B	C	L	t1	t2	t3	t4
ANV4338	1" X 1"	M X F	SS316-ASTM A479	60.0mmsq	117.0mm	12.0mm	112.0mm	13.3mm	16.0mm	10.3mm	12.6mm
ANV4538	1" X 1"	M X F	C.S-ASTM A105	60.0mmsq	117.0mm	12.0mm	112.0mm	13.3mm	16.0mm	10.3mm	12.6mm

REV.	DATE OF DRAWING	DRAWN BY	CHECKED	APPROVED
0.00	14/9/2016	P.S	D.K.D	G.G.A

ALL DIMENSIONS ARE SUBJECT TO CHANGE WITHOUT ANY PRIOR NOTICE. TO BE USED FOR REFERENCE ONLY.

REV.	REASON FOR ISSUE	DATE	DRN.	CHKD.	APP.
0.00	REL.FOR MANU.	14.9.2016	P.S	D.K.D.	G.G.A.



ITEM NO.	DESCRIPTION	QTY.	MATERIAL
1	BODY	1	C.S-ASTM A105/SS316-ASTM A479
2	GLAND BODY	1	C.S-ASTM A105/SS316-ASTM A479
3	GLAND RETAINER	1	C.S-ASTM A105/SS316-ASTM A479
4	GLAND SEAL	1	PTFE/ GRAFOIL
5	LOCK NUT	1	C.S-ASTM A105/SS316-ASTM A479
6	SPINDLE	1	SS316-ASTM A479
7	TIP	1	SS316-ASTM A479
8	HANDLE	1	C.S-ASTM A105/SS316-ASTM A479
9	WASHER	1	STAINLESS STEE
10	LOCK PIN	1	STAINLESS STEE
11	DUST CAP	1	AL./PLASTIC

*Note:- Material Grade

C.S :- ASTM A105
FINISH ZN PLATEI

SS316 :- ASTM A479

NOTE:- BREAK ALL SHARP EDGES & REMOVE BUR

PRESSURE RATING	15000 PSI
TEMPERATURE RATING	200°F

PROJECT/CLIENT	JVF
TITLE	JVF
STD. NEEDLE VALVE 15000 PSI M X F NPT	15060 West Drive Houston, TX77053 USA
This drawing is the property of JVf. Unauthorised reproduction is prohibited.	DRG NO :-JVf-SNV-HS-004
	RE 0.C

PART NO.	SIZE	NPT.	ENDS.	MATL.	A	B	C	L	t1	t2	t3
ANV4338	1"X 1"	F X F	SS316-ASTM A479	60.0mmsq	117.0mm	12.0mm	100.8mm	13.3mm	13.3mm	16.0mm	13.0mm
ANV 4538	1"X 1"	F X F	C.S-ASTM A105	60.0mmsq	117.0mm	12.0mm	100.8mm	13.3mm	13.3mm	16.0mm	13.0mm

REV.	DATE OF DRAWING	DRAWN BY	CHECKED	APPROVED
0.00	14/9/2016	P.S	D.K.D	G.G.A

ALL DIMENSIONS ARE SUBJECT TO CHANGE WITHOUT ANY PRIOR NOTICE. TO BE USED FOR REFERENCE ONLY.